



Fixed Value FC/PC Attenuator Kit

Description

Single mode fixed fiber optic attenuator assortment. This kit includes common values to help with your test and measurement needs. The input features a 2.2 mm wide key female connector, this makes the attenuators compatible with narrow key and wide key male connectors. The attenuators are fabricated with polarization insensitive doped fiber to enhance the spectral operating range. The attenuators come with a test report for 1310 and 1550 nm values.

Features

- Tight tolerances
- Wide temperature range
- High mating cycles
- High return loss
- 1W Power Capability
- 1200-1610 nm wavelength range
- Device tested at 1310 & 1550 nm

Applications

- Test and Measurement
- Data Centers
- Telecom



Electro-Optical Characteristics ($T_{op} 23 \pm 3^{\circ}C$, unless otherwise specified)

Parameter	Symbol	Min.	Typ.	Max.	Unit	Test Conditions
5 dB		4.7	5	5.3	dB	1310/1550 nm
10 dB		9.7	10	10.3	dB	1310/1550 nm
15 dB		14.6	15	15.4	dB	1310/1550 nm
20 dB		19.6	20	20.4	dB	1310/1550 nm
30 dB		29.5	30	30.5	dB	1310/1550 nm
Optical Return Loss	ORL	50			dB	1310/1550 nm

Absolute Maximum Ratings

Parameter	Symbol	Condition	Min.	Max.	Unit
Input Power	Pin			1	W
Temperature Range	T		-45	80	$^{\circ}C$

Operating at maximum ratings for a prolonged period will cause damage to the device.



IMPORTANT NOTICES AND DISCLAIMERS

Warranty: NUPHOTONICS PROVIDES ALL OF THE INFORMATION ON TECHNICAL AND RELIABILITY DATA. THIS INCLUDES INFORMATION PRESENTED IN DATA SHEETS, DESIGN FILES, APPLICATIONS, AND OTHER RESOURCES "AS IS" AND WITH ALL FAULTS, AND DISCLAIMS ALL WARRANTIES, EXPRESS AND IMPLIED, INCLUDING WITHOUT LIMITATION ANY IMPLIED WARRANTIES OF MERCHANTABILITY, FITNESS FOR A PARTICULAR PURPOSE OR NON-INFRINGEMENT OF THIRD-PARTY INTELLECTUAL PROPERTY RIGHTS.

The information and resources are presented and intended for developers that are skilled and adequately qualified to work with this technology. You, the customer, are solely responsible for and accept full responsibility for selecting the appropriate NuPhotonics devices for your application. You accept the sole responsibility of designing, validating, and testing your application. You bear all responsibility for your application meeting standards, safety, security, and other regulatory requirements.

NuPhotonics retains the right to change these resources without notice. All rights are reserved for NuPhotonics. NuPhotonics grants you permission to use the information in these resources to design with NuPhotonics devices. Reproduction and display of these resources is prohibited. No Third-party licenses are offered. You will fully indemnify NuPhotonics against any claims, damages, costs, losses, and liabilities that arise from you using these resources.

NuPhotonics does not accept and objects to any terms you have proposed.

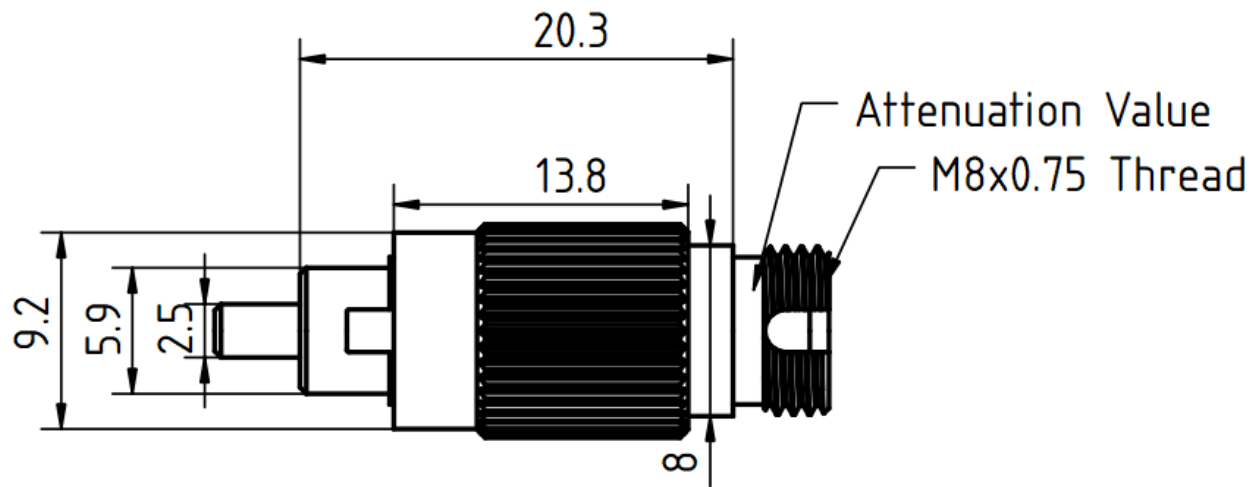
Definitions: Product status

Alpha Build: Devices in Alpha build are in internal engineering build and testing stages.

Beta Build: Devices in Beta build are for external customers and engineering sample testing stages.

Production Build: Customer ready devices

Copyright © 2024 NuPhotonics LLC



Notes:

Dust caps included but not shown

DESIGNED BY: Vinny Gjokaj		FA-XX-FP		G	-
DATE: August 29 2024		Fixed Attenuator - No Value - FC/PC		F	-
SIZE A4		[All Units in mm] [Tolerances are +/- 0.1 mm unless specified]		E	-
SCALE 3:1	WEIGHT (kg) Weight	DRAWING NUMBER Revision 1.0	SHEET A4-Paper	D	-
This Drawing is Property of NuPhotonics. You can not share this file without approval. All rights reserved.				C	-
				B	-
				A	-