

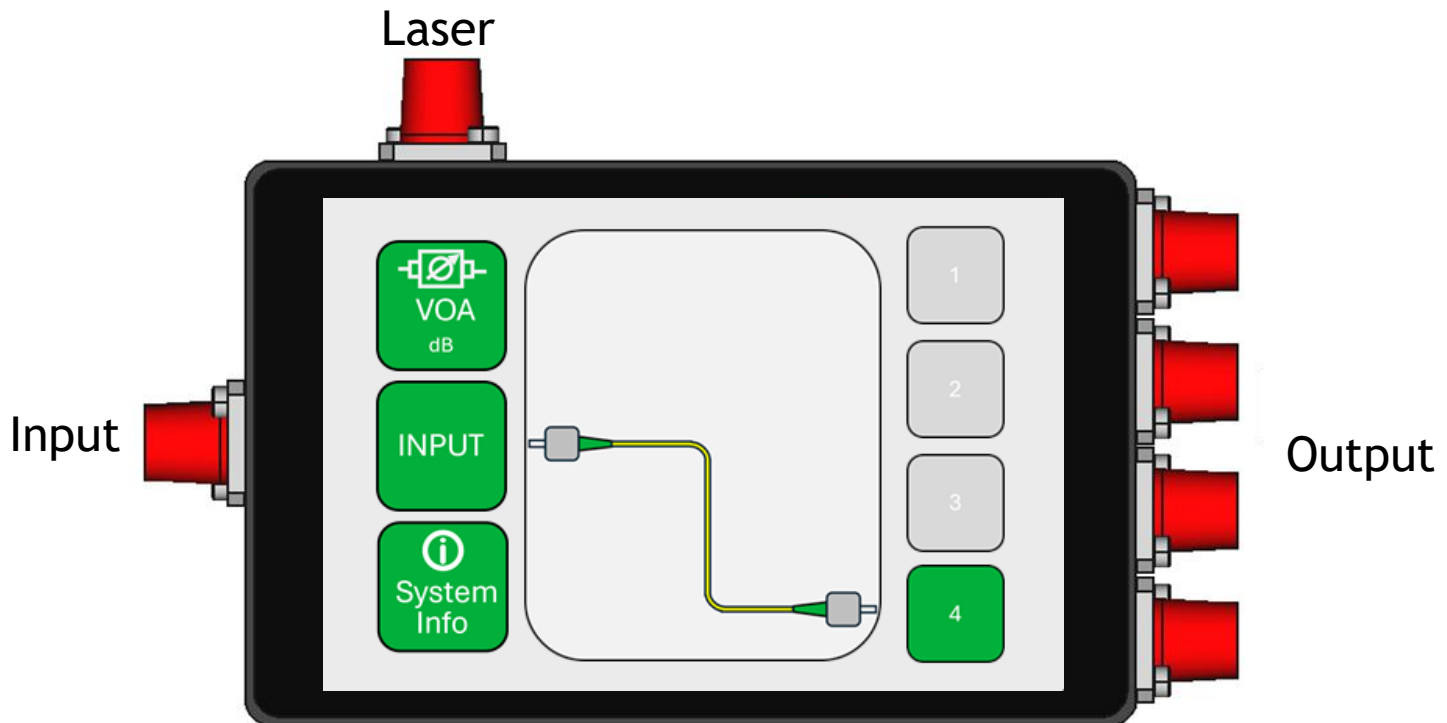
# NuPhotonics

## Product Brief

### Inline Optical Switch OS-1X4

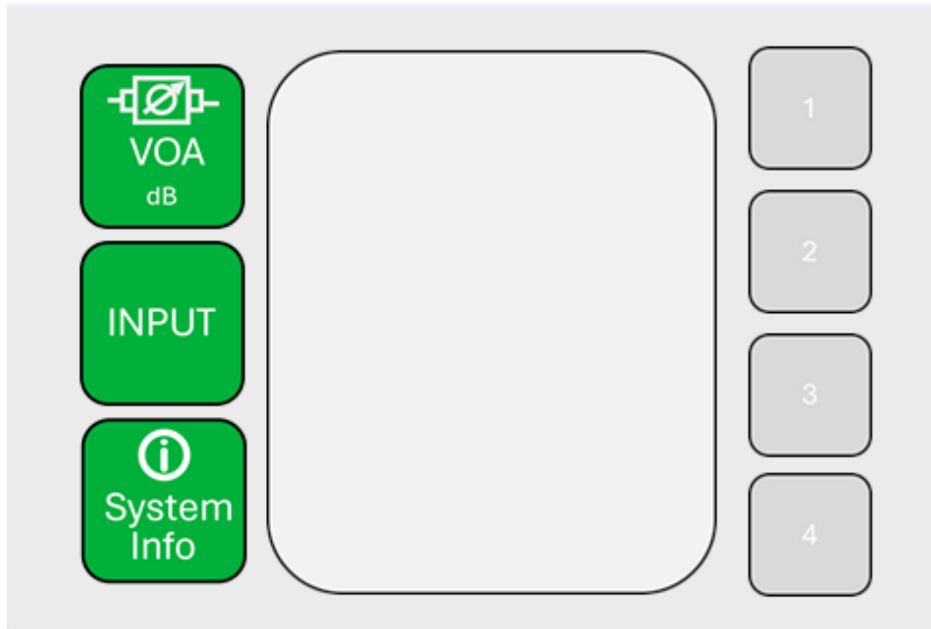
Early product briefing. Final product dimensions and specifications are subject to change.

# Highlights



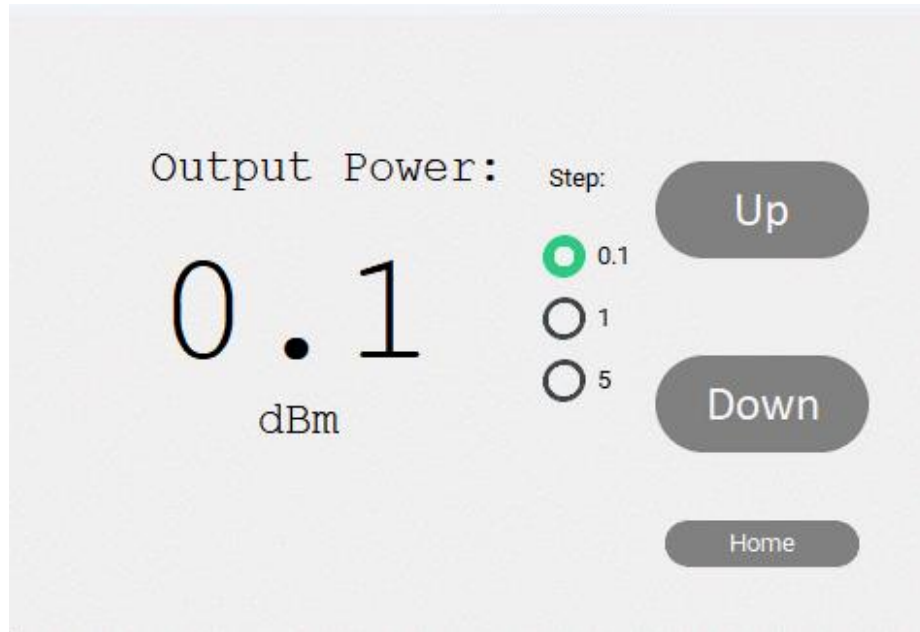
- ▶ Toughened Glass Front Panel
- ▶ Capacitive Touchscreen
- ▶ 4.3" 800x480 IPS Display
  - ▶ 170 Degree Viewing angle
- ▶ 1x4 Optical Switch
- ▶ 40 dB MEMs Variable Optical Attenuator (option 1)
- ▶ 5 mW adjustable laser (Option 13/Option 15)
  - ▶ 1310 nm or 1550 nm
  - ▶ -40 - 6 dBm output power
- ▶ 5 Hour battery life

# Home Screen



- ▶ Home screen - The main home screen at start Switch will be off
- ▶ Laser - Two wavelengths available
  - ▶ Variable power: -40 - 6 dBm/0.0001 - 5mW
  - ▶ 1310 nm - Option 13
  - ▶ 1510 nm - Option 15
- ▶ Variable Optical Attenuator - VOA - Option 01
  - ▶ 1210-1650nm response spectrum
- ▶ System Information - System Info

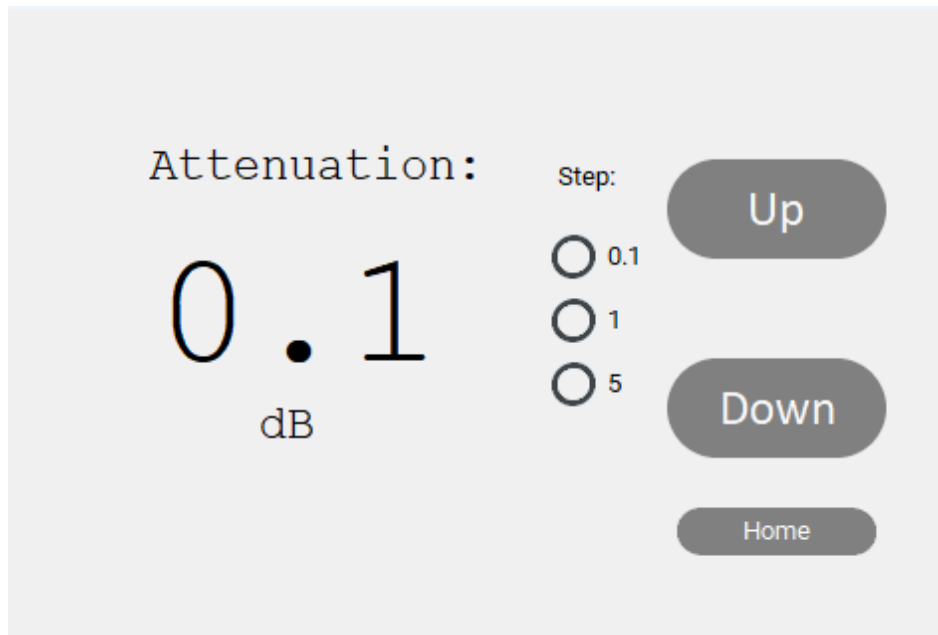
# Laser



- ▶ Laser- Single wavelength variable power laser
  - ▶ 1310 nm - Option 13
  - ▶ 1550 nm - Option 15
- ▶ Easily increase and decrease desired power
  - ▶ -40 dBm to 6 dBm
  - ▶ 0.0001 to 5 mW
- ▶ 3 Selectable step sizes to precisely control desired level.

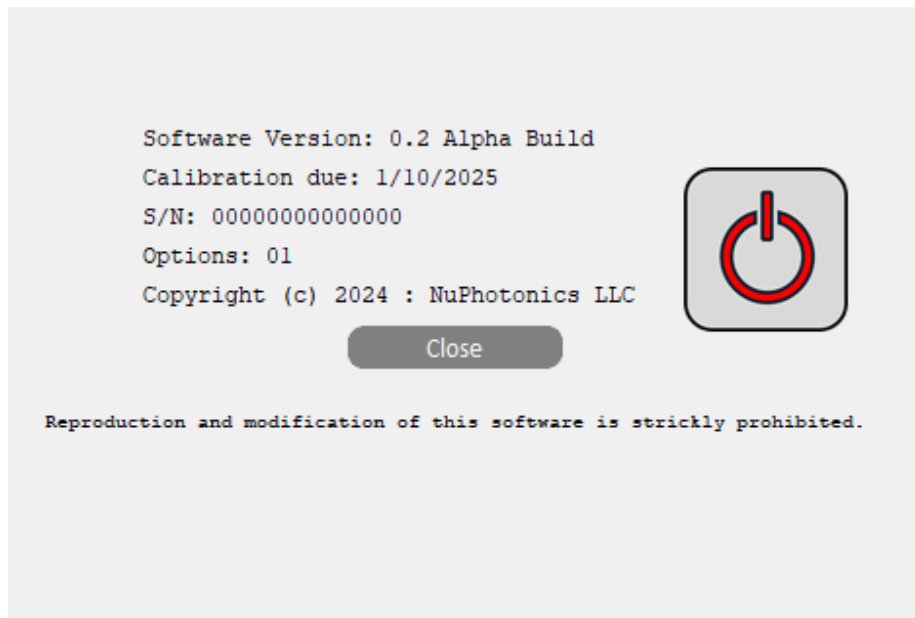
Warning: Lasers emit Visible and Invisible laser radiation. Avoid eye and skin exposure to direct or scattered radiation. Approved laser protective eyewear required for using the Laser.

# Variable Optical Attenuator - VOA



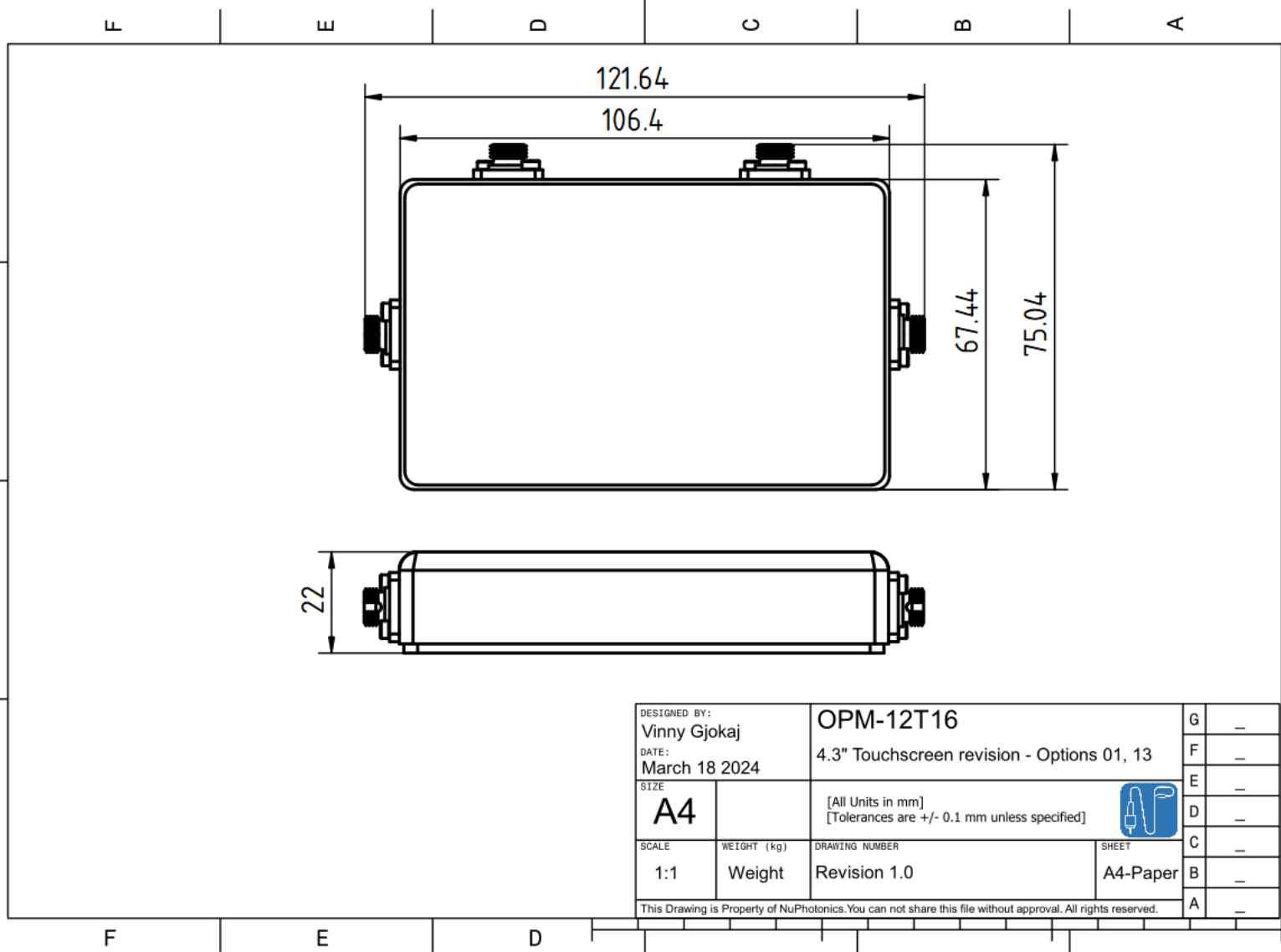
- ▶ VOA- Built in Inline MEMs Variable Optical Attenuator - Option 01
- ▶ 1250 - 1650 nm Response spectrum
- ▶ 0.3 dB Typical insertion loss in OFF state
  - ▶ The system will automatically set it to the calibrated Off state insertion loss.
  - ▶ Stable across temperature
  - ▶ Stable with time

# System Info



- ▶ Gives the system information.
  - ▶ Software Version
  - ▶ Serial
- ▶ Calibration date
  - ▶ Laser, Switch, and VOA must be calibrated to be within specifications.
  - ▶ Recommended 1 year calibration cycle.
- ▶ Power Button
  - ▶ Software shutdown

# Device Dimensions



DESIGNED BY: Vinny Gjokaj		OPM-12T16		G	-
DATE: March 18 2024		4.3" Touchscreen revision - Options 01, 13		F	-
SIZE	A4	[All Units in mm] [Tolerances are +/- 0.1 mm unless specified]		E	-
SCALE	WEIGHT (kg)	DRAWING NUMBER	SHEET	D	-
1:1	Weight	Revision 1.0	A4-Paper	C	-
This Drawing is Property of NuPhotonics. You can not share this file without approval. All rights reserved.				B	-
				A	-